

Plustek PS456U

plustek

SmartOffice Series

High Speed Duplex Document Scanner **80ppm/160ipm**



Let's begin! You may find the SmartOffice PS456U is the right solution for your scanning needs. Enhanced with innovative features, it offers outstanding price/performance value in a compact footprint, conserving both space and budget. You get fast scanning speeds, a high daily duty cycle and robust paper handling capabilities, all from a compact, desktop scanner. You may feel this scanner delivers solutions for a multitude of imaging applications. Whatever you may involve such as document management, archiving, workflow or forms processing, watch this video of the new SmartOffice PS456U that scans both sides of documents, in color in just a few seconds.

This scanner features one of the most advanced document feeding and separation system in the industry. This system allows the SmartOffice PS456U to scan mixed batches of varying paper sizes and weights. No more wasted time sorting documents based on their size or thickness. Plastic and rigid cards such as ID cards, Drivers Licenses, Membership Cards, and Insurance Cards are scanned without additional adjustments or additional set up. The PS456U incorporates an ultrasonic misfeed detection system for an extra measure of security.

FEATURES

- **Fast, 80ppm / 160ipm scanning in grayscale at 300dpi resolution**
- **3 colour dropout modes for advanced OCR processing**
- **Scans documents up to 50" long**
- **5000 page per day duty cycle**
- **Robust 100-page Automatic Document Feeder (ADF) with enhanced hard embossed card scanning**
- **Advanced image enhancement to automatically straighten and rotate pages, adjust brightness, detect color, and crop images minimizes file size and increase OCR accuracy.**

Plustek PS456U

SOFTWARES



Powered by
ABBYY®

ABBYY FineReader 9.0 Sprint

Unlocks the data inside paper-based documents, images and PDF files with enhanced accuracy that eliminates the need for retyping and reformatting. Tool that increases your productivity and efficiency which comes with simple user interface and supports recognition up to 183 languages.



plustek
DICapture

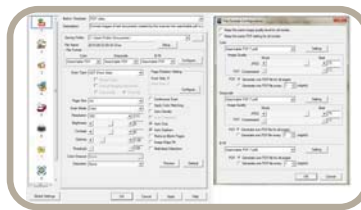
Plustek DI Capture

Image capture and management software featured with indexed archives. Makes it easy manage and organize documents and images efficiently. Exports files in PDF, JPEG, TXT and XLS with flexible file naming options.



Hotcard BizCard Finder

BizCard Finder, provides Business Card Reading (BCR) Technology and Photo /Document database for contact management. BizCard Finder quickly and easily converts the vital contact information on business cards into a convenient, searchable, digital database that can be easily synchronized between PC, NoteBook, and PDA

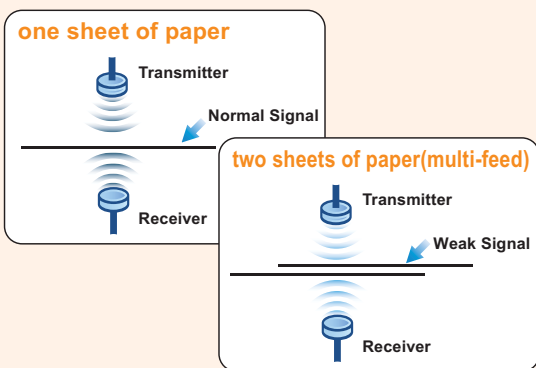


DocAction

Plustek DocAction

Button utility to simplify document scanning. DocAction enables you to specify your personalized scanning configuration settings and scan documents with the touch of a button. Scanned documents are automatically sent directly to Printer, Email, Folder or FTP. DocAction also enables you to scan directly to many imaging and document management applications. DocAction saves scanned documents in all common imaging formats including: JPEG, TIFF, and PDF.

Intelligent MultiFeed Function



The ultrasonic sensor detects the double feeding of original documents during scanning. The ultrasonic function can be turned off for the purpose of intentional double-feeds such as taped receipt or sticky notes. This innovative design prevents double feeding and effectively scans documents of different weights or thickness. Thanks to double-feed prevention, optimum reliability is assured even when scanning high volumes of documents.

SPECIFICATION

Image Sensor	CCD Sensor x 2
Optical Resolution	600 dpi
Hardware Resolution	600 x 600 dpi
ADF Capacity	1. 100 sheets (A4/ Letter, 70 g/m ² or 18 Lbs), Max. thickness under 10 mm (0.4") 2. 50 sheets (A3, 70 g/m ² or 18 Lbs) 3. 20 sheets (Business Cards) 4. Plastic Card (Portrait Loading), Max. thickness under 1 mm, embossed cards can be scanned. Note: Maximum ADF capacity varies, depending upon paper weight.
Scanning Speed (ADF)	80 ppm/ 160 ipm (Grayscale/ B&W mode, 300 dpi, A4 Landscape) 50 ppm/ 100 ipm (Color mode, 200 dpi, A4 Landscape) 30 ppm/ 60 ipm (Color mode, 300 dpi, A4 Landscape) Note: Results may vary depending upon your scanning application, computer processor and
system memory.	
Scanning Area (W x L)	Max. 216 x 1270 mm (11.69" x 50") Min. 13.2 x 13.2 mm (0.52" x 0.52")
Acceptable Paper Sizes (W x L)	Max. 244 x 1300 mm (12" x 51") Min. 50.8 x 63.5 mm (2" x 2.5")
Acceptable Paper Weight (Thickness)	40 to 220 g/m ² (10 to 58 Lbs)
Daily Duty Scan (Sheets)	5,000
Action Button	4 Buttons: Up, Down, Scan, Standby 9 Function Keys: Scan, PDF, OCR, File, E-Mail, Copy, BCR, FTP, DI Capture. All Customizable.
Power Supply	24 Vdc/ 1.25 A
Interface	USB 2.0
Net Weight	2.7 Kgs (5.95 Lbs)
Dimensions (W x D x H)	318.7 x 230.7 x 228.3 mm (12.55" x 9.08" x 8.99")
Protocol	TWAIN Compliant
OS	Windows 2000 / XP / Vista / 7 / 8
Hardware Requirements	Pentium IV 2.0 GHz processor (Pentium IV 3.0 GHz processor recommended) CD-ROM Driver One available USB Port (USB 2.0 recommended) 1GB RAM or higher recommended 800 MB free HDD space (1 GB or larger recommended) * EMC ISIS drivers will be available at a later date

