

❖ SOFTWARE



DocAction

Plustek DocAction

Button utility to simplify document scanning. DocAction enables you to specify your personalized scanning configuration settings and scan documents with the click of a button. Scanned documents are automatically sent directly to Printer, Email, Folder or FTP. DocAction also enables you to scan directly to many imaging and document management applications. DocAction saves scanned documents in all common imaging formats including JPEG, TIFF, and PDF.

❖ BUILT-IN OCR



Plustek OCR

Plustek OCR

Plustek OCR (powered by ABBYY) helps to convert scanned paper documents, photos, and PDF files into editable formats. With Plustek OCR, you can convert paper documents to editable formats, including Microsoft® Word®, and Excel®, edit resulting documents, and reuse their text and other content.

Hardware Requirements

3.2 GHz CPU processor or higher[1]
 [1]Windows Recommended: 3.2 GHz Intel® Core™ i7 Processor with 4 CPU Cores or higher
 4 GB RAM minimum (Recommended: 8 GB or more)
 6 GB of hard-disk space for program installation
 Display dimensions of 1024x768 or greater



Specification

Image Sensor	CIS x 2
Optical Resolution	600 dpi
Hardware Resolution	600 x 600 dpi
ADF Capacity	1. 100 sheets (A4/ Letter, 70 g/m ² or 18 Lbs), Max. thickness under 10 mm (0.4") 2. 50 sheets (A3, 70 g/m ² or 18 Lbs) 3. 20 sheets (Business Cards) 4. Plastic Card (Portrait Loading), Max. thickness under 1 mm, embossed cards can be scanned. Note: Maximum ADF capacity varies, depending upon paper weight.
Scanning Speed (ADF)	80 ppm/ 160 ipm (Grayscale/ B&W mode, 300 dpi, A4 Landscape) 55 ppm/ 110 ipm (Color mode, 200 dpi, A4 Landscape) 36 ppm/ 72 ipm (Color mode, 300 dpi, A4 Landscape) Note: Results may vary depending upon your scanning application, computer processor and system memory.
Scanning Area (W x L)	Max: 297 x 5080 mm (11.69" x 200") Min: 13.2 x 13.2 mm (0.52" x 0.52")
Acceptable Paper Sizes (W x L)	Max: 305 x 5080 mm (12" x 200") Min: 50.8 x 63.5 mm (2" x 2.5")
Acceptable Paper Weight (Thickness)	40 to 220 g/m ² (10 to 58 Lbs)
Daily Duty Scan (Sheets)	8,000
Action Button	4 Buttons: Up, Down, Scan, Standby 9 function keys: all customizable.
Power Supply	24 Vdc/ 2.7 A
Interface	USB 2.0/ RJ45 LAN
Net Weight	6.57 Kgs (14.48 Lbs)
Dimensions (W x D x H)	436 x 262 x 266 mm (17.16" x 10.31" x 10.47")
Protocol	TWAIN Compliant
OS	Windows 7 / 8 / 10 / 11 Linux ^[2]

[1]ABBYY™ FineReader™ © ABBYY. OCR by ABBYY. ABBYY and FineReader are trademarks of ABBYY Software, Ltd. which may be registered in some jurisdictions.

Any other products or company names appearing in this document are the trademarks or registered trademarks of the respective companies.

[2] Linux compatibility is only available for system integrators. Please contact sales@plustek.com for more info.



Network or USB Attached **A3** sized, **80ppm** Document Scanner



The Plustek SmartOffice SN8016U is a departmental class A3 sized document scanner that interfaces to your PC using either the built in USB interface or built in network interface. The dual interface coupled with industry standard TWAIN drivers and DocAction single touch scanning enable this scanner to be used for almost any document imaging application or scanning environment.

❖ KEY FEATURES

- 80ppm (160 ipm) scan speed (Grayscale, 300 dpi, A4 Landscape)
- Ultrasonic multi-feed detection
- No warm up time. Instant on LED illumination.
- Scans plastic cards, insurance cards, license cards, business cards up to 1.2mm
- USB or network attached
- Scans documents up to 5080mm (200") long
- 8000 page per day duty cycle
- Advanced image enhancement to automatically straighten and rotate pages, adjust brightness, detect color and increase OCR accuracy.
- ENERGY STAR Certified

❖ FEATURES



Flexibility – USB or Network Attached

The dual interfaces enable the SmartOffice SN8016U to be either directly attached to a PC or connected to your local network. When the network interface is used, the scanner can be shared with all of the PCs on the network. This is great for workgroups and departments that do not have the scanning workload to justify purchasing a scanner for every workgroup or department member.



Performance – Fast scanning, large feeder, high daily duty cycle

Featuring a scan speed of 80 pages per minute, 160 images per minute in duplex mode, a 100 sheet feeder and a daily duty cycle of 8,000 pages per day, the SmartOffice SN8016U is designed for applications requiring frequent scanning of large document batches.



Productivity - Handles a wide range of paper and card with no sorting



The SmartOffice SN8016U scans mixed batches of documents without the need for separating or sorting including embossed cards, such as IDs or driver licenses, and any sized paper document up to A3 size and 200" long. Coupled with Plustek's advanced image processing, the SN8016U provides you with automatically sized and exported images or PDFs. The A3 sized feeder easily handles documents from 2" x 2" to 11.69" x 200".



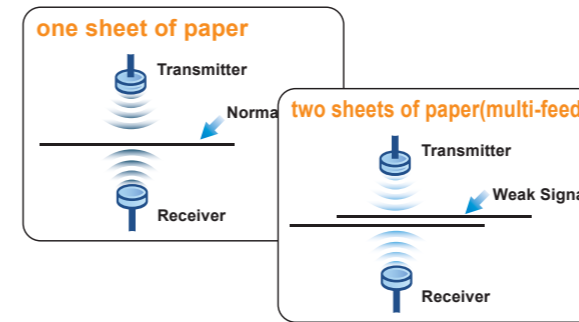
Easy-to-Use

Single-touch customizable button automates up to 9 frequent scanning jobs (e.g., Scan to PDF, Scan to file, email, network share, copy, etc.) The innovative automatic wake-up function turns the scanner on as soon as documents are placed in the feeder.



Compatible – Works with hundreds of scanning applications

Industry standard TWAIN and WIA drivers combined with TIF, JPG, PDF and Microsoft Office file formats ensure compatibility with thousands of scanning and imaging programs. Plustek OCR is included to easily create and manage searchable PDFs at the touch of a button.



Intelligent Misfeed Function

The ultrasonic sensor detects double feeding of original documents during scanning, and prevents double feeding and effectively scans documents of different weights or thickness. The ultrasonic function can be turned off when scanning document with labels, sticky notes, or taped receipts.

Built in image processing ensures the highest image quality, reduces rescans, increases OCR accuracy and now includes automatic color detect.

- ### 1 Auto Mode

automatically detects document color and scans document in color, grayscale or black & white mode.
- ### 2 Auto Rotate

automatically rotates document based on the contents of the document.
- ### 3 Auto Crop & Deskew

automatically straightens and crops image to the document's actual size.
- ### 4 Color Dropout

removes red, green or blue color when scanning forms.
- ### 5 Blank Page Removal

automatically removes blank pages without manual editing.
- ### 6 Merge Pages

allows you to scan both sides of your folded document and merge them into one image.



Supports document scanning up to A3 size.



Fast scanning at speeds up to 80ppm/160ipm in Grayscale mode, and 45ppm/90ipm in Color mode.



Effective scanning with large Automatic Document Feeder up to 100 sheets.



Scans embossed rigid cards such as ID cards, insurance cards, drivers licenses and credit cards up to 1.2mm. Perfect for vertical applications such as healthcare, pharmacy, accounting, hospitality, etc.



Digitize paper business cards into easily-managed and sorted contacts, and turn your business cards into information.



Save paper documents as searchable PDFs at the touch of a button and find your information faster.